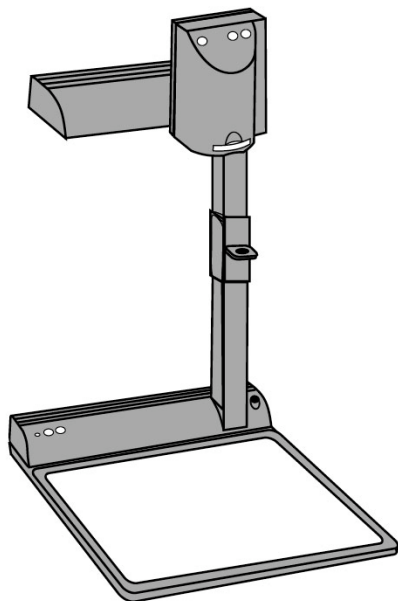

WolfVision Visualizer VZ-5F/7D

Document Camera

TANDBERG

The WolfVision Visualizer can be used for showing text, diagrams, transparencies and other graphical material as well as three-dimensional objects.

To use the Visualizer with your TANDBERG videoconferencing system¹:



- Connect the Visualizer to the 'Doc cam' video input on the TANDBERG videoconferencing system².
- To select the Visualizer, simply press the 'doc cam' key on the TANDBERG remote control.

See also under 'Presentations'³ in the menu system for easy access to still image transfer from the Visualizer.

For further information on how to use the Visualizer document camera, see the Visualizer User Manual.

Tip

For Document Cameras requiring S-video connection, use the 'Aux' video input. To remap this video input to the 'doc cam' button on the TANDBERG Remote Control, press <menu> on the remote control, select 'Video Settings', 'Document Camera: Video2' and press <OK> to save changes.

¹ TANDBERG 7000, TANDBERG 6000, TANDBERG 2500, TANDBERG 1000, TANDBERG 800 or TANDBERG 500.

² For TANDBERG 1000 and TANDBERG 500 connect the Visualizer to the Composite input 'Video in'.

³ Does not apply for TANDBERG 1000 and TANDBERG 500. On these systems, the current video source will always be transferred as still image (whenever the 'snapshot' key is pressed).