

The TANDBERG PROFILE 52" delivery contains:

- Monitor box
- Bottom module
- Foot module (standalone, wheelbase or wall mounting)
- Speaker grille box (inside monitor box)
- TANDBERG camera
- Accessories box
 - Microphones, 3 pcs.
 - Remote Control and 4 AAA batteries
 - Gloves, 2 pairs
 - TANDBERG Cloth
 - Allen key
 - 2 x Bolts M8x60



PRECAUTIONS

Please follow the steps in this installation guide when unpacking and assembling the TANDBERG PROFILE.

MANPOWER

A minimum of two (2) people are required when installing the TANDBERG PROFILE.

UNPACKING THE SYSTEM AT THE DESTINATION

It is highly recommend to start unpacking and assembling of TANDBERG PROFILE at the place where TANDBERG PROFILE is to be used.

INSTALLATION NEAR A SOCKET OUTLET

The equipment must be installed near a socket-outlet. The socket-outlet shall be easily accessible after installation.

DISTANCE TO THE TABLE

The recommended distance between the PROFILE 52" and the meeting room table should be minimum 1,5 m / 59 in

USER DOCUMENTATION

The user documentation for TANDBERG products is available on the TANDBERG web site: <http://www.tandberg.com/docs>

DIMENSIONS OF THE TANDBERG PROFILE 52"

The delivery of the unit has the following dimensions

- Height: 63.78" / 162 cm
- Width: 47.25" / 120 cm
- Depth: 6.7" / 17 cm
- Weight: 253.5 lbs / 115 kg

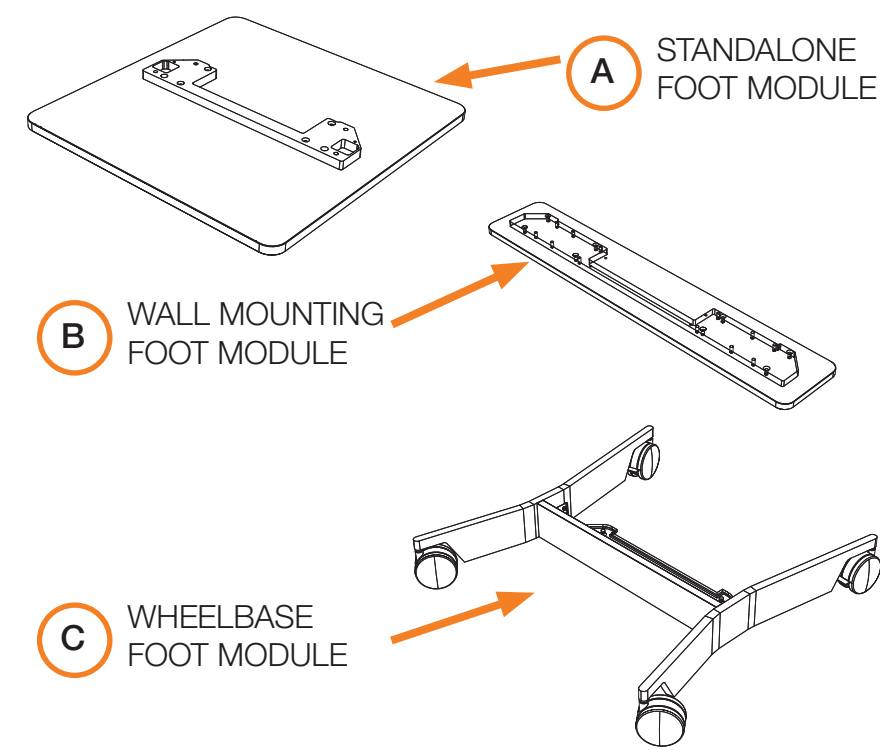
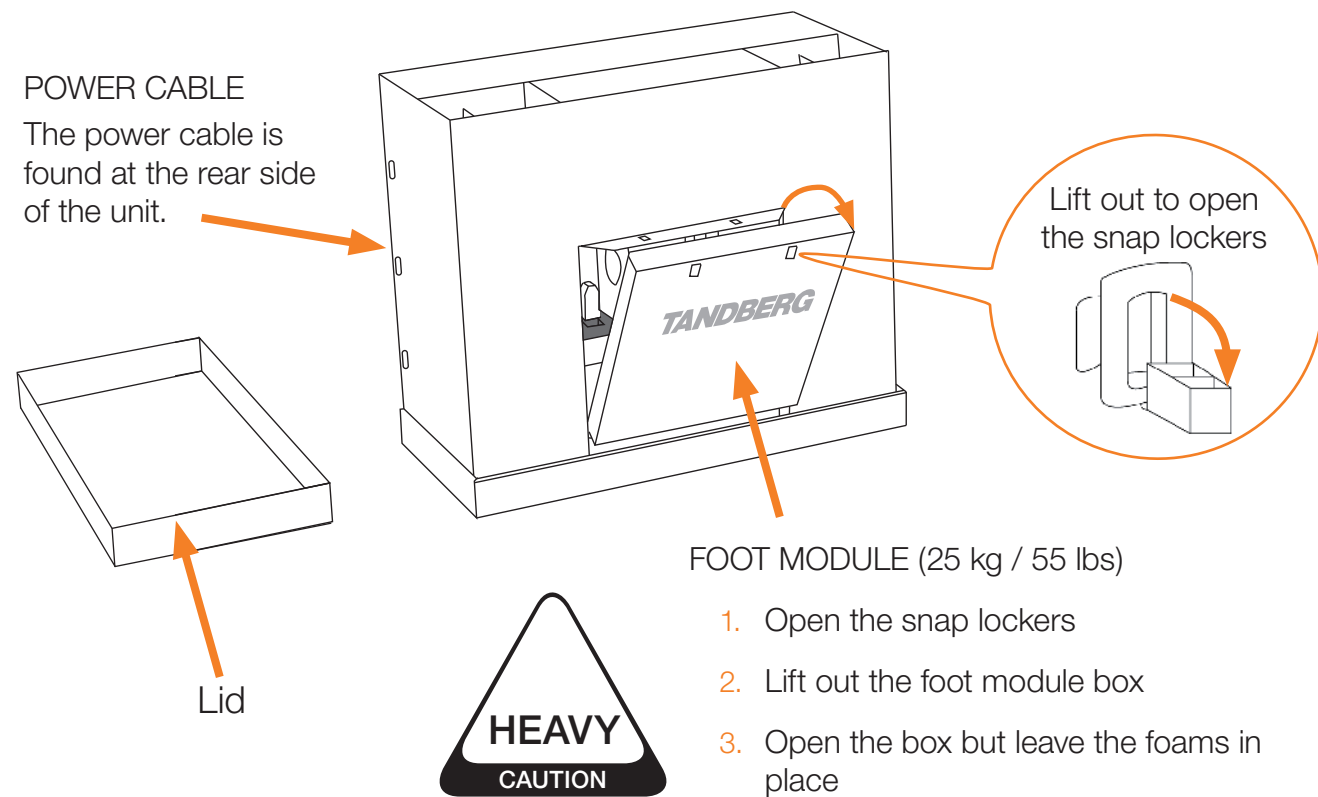
NOTE! It is highly recommended to bring the complete delivery of the unit to the room where TANDBERG PROFILE is to be placed. Check the dimensions of the lift if you need to use a lift for the transportation.

NOTE! If it is not possible to bring the complete delivery to the room where TANDBERG PROFILE is to be used, then unpack (step 1-2) and bring the smaller units to the destination.

- The monitor box requires two (2) people to lift (60 kg / 132 lbs)
- The bottom module requires two (2) people to lift. (25 kg / 55lbs)

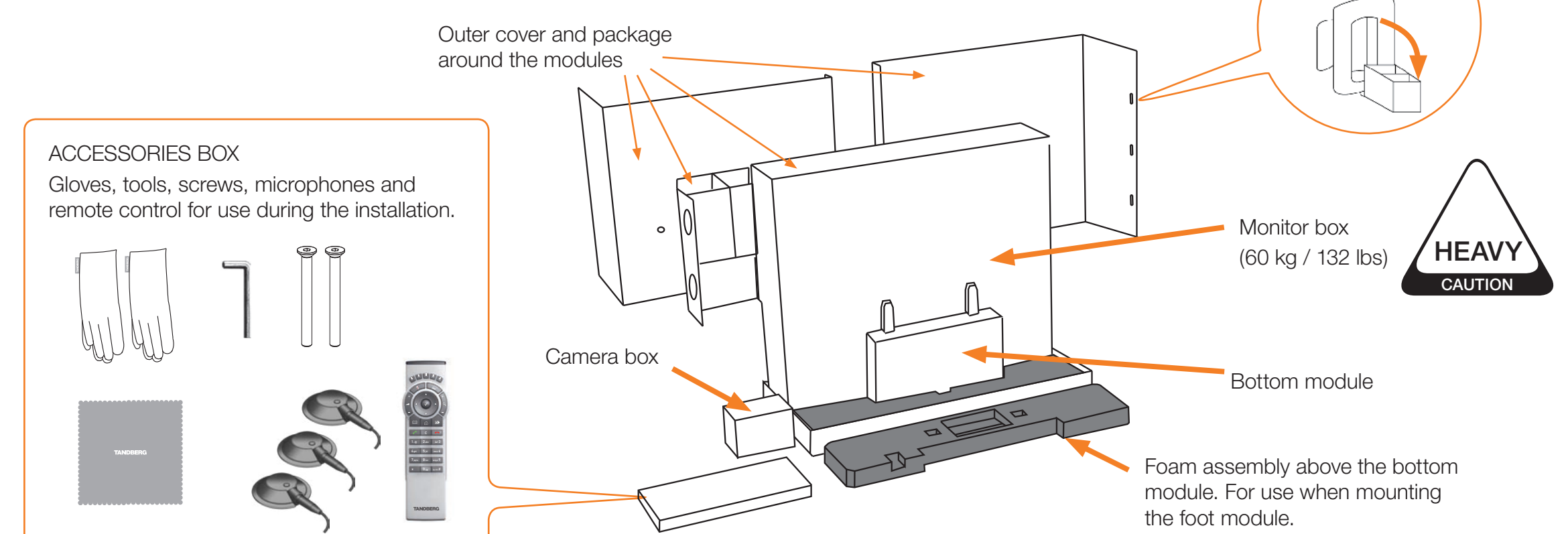
Unpacking and assemble the TANDBERG PROFILE

1 Unpack the foot module (standalone, wheelbase or wall mounting) and the power cable



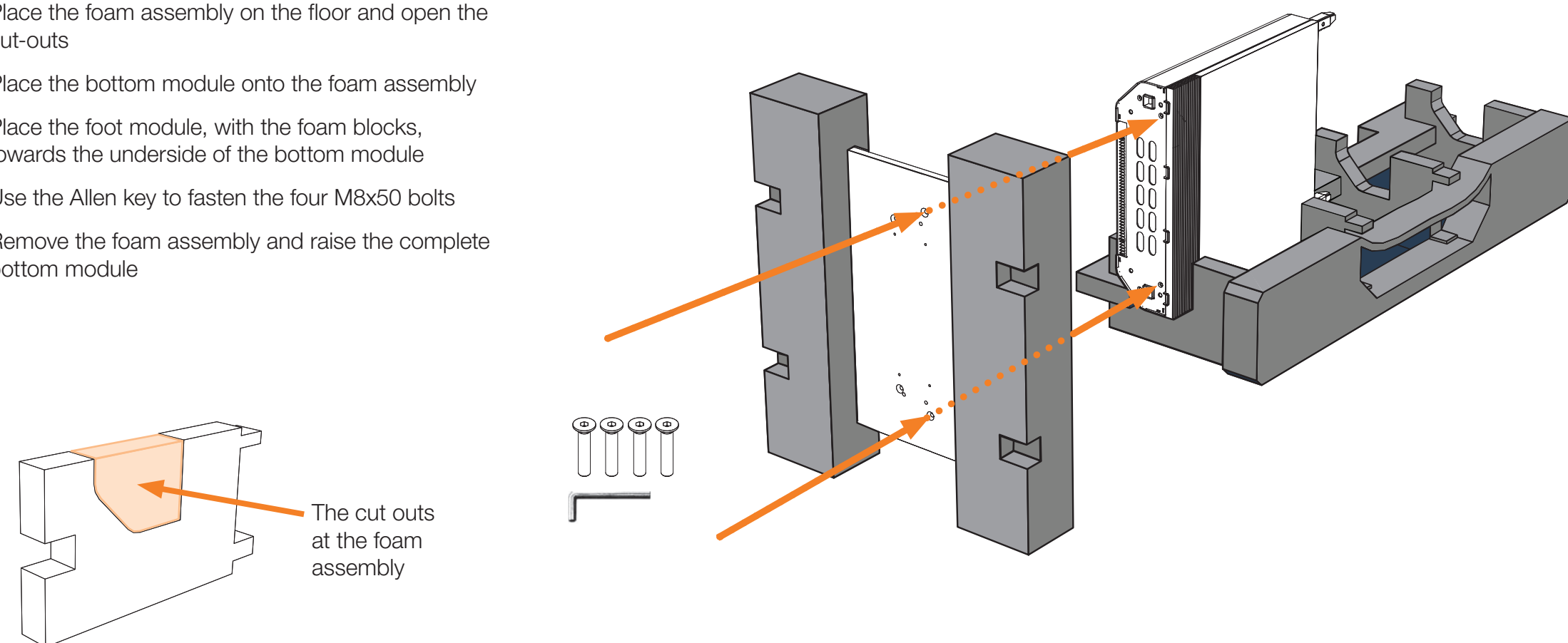
- ACCESSORIES TO THE FOOT MODULE
- Allen key
 - Orange wrench (standalone only)
 - 4 x M8x50 bolts
 - Wall brackets with 4 x M5x20 screws

2 Remove the outer cover and locate the monitor box, bottom module, accessories box, and camera box. Lift out the accessories box and the camera box and remove the packaging above and around the bottom module.



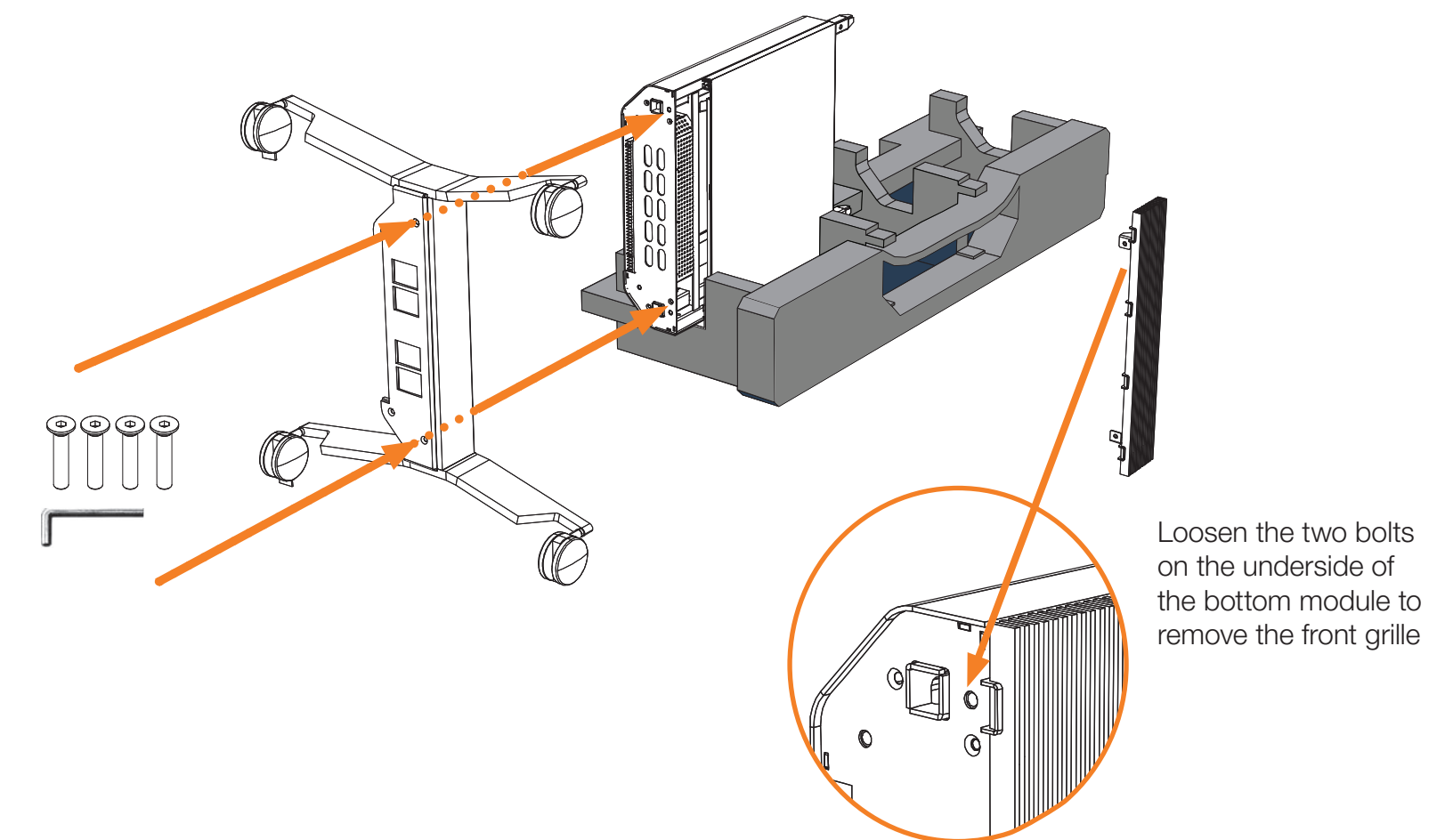
3 A + B: Mounting the standalone or the wall mounting foot module

1. Place the foam assembly on the floor and open the cut-outs
2. Place the bottom module onto the foam assembly
3. Place the foot module, with the foam blocks, towards the underside of the bottom module
4. Use the Allen key to fasten the four M8x50 bolts
5. Remove the foam assembly and raise the complete bottom module



3 C: Mounting the wheelbase foot module

1. Place the foam assembly on the floor and open the cut-outs
2. Place the bottom module onto the foam assembly
3. Remove the front grille (will not be used later). Loosen the two bolts on the underside of the bottom module
4. Place the wheelbase foot module, with the foam blocks, towards the underside of the bottom module
5. Use the Allen key to fasten the four M8x50 bolts
6. Remove the foam assembly and raise the complete bottom module

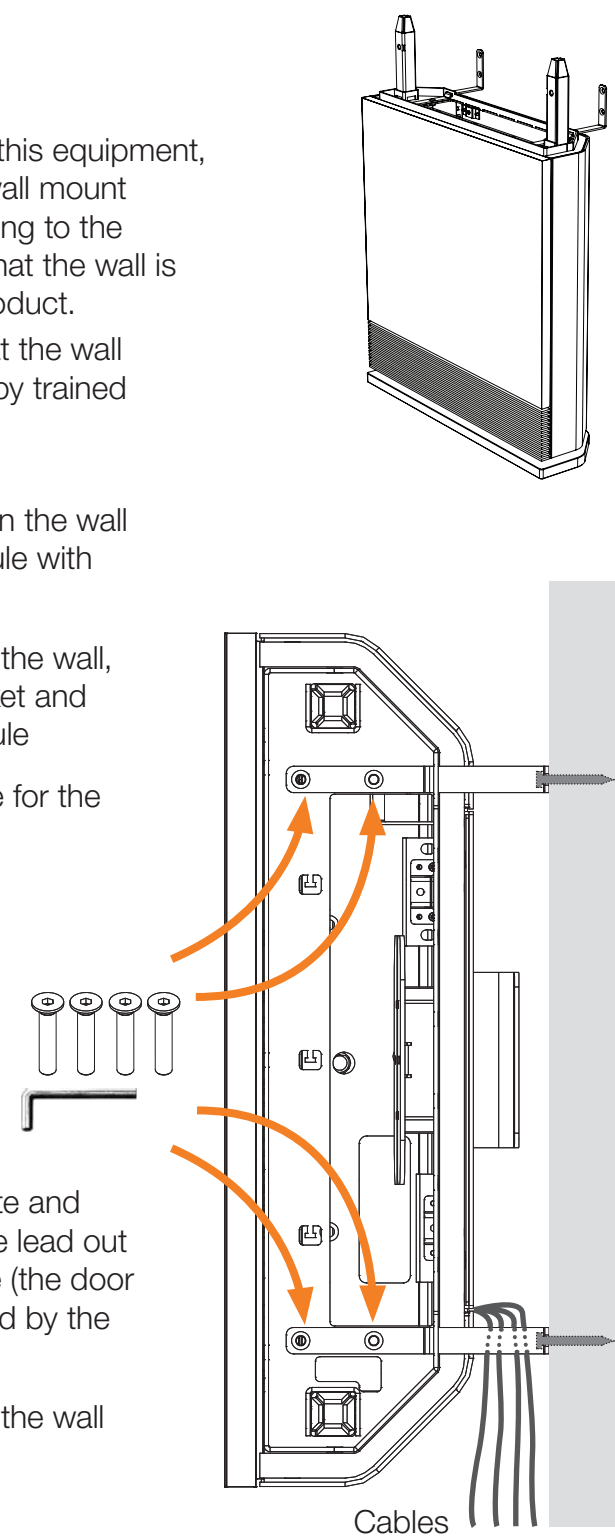


4 Wall mounting the unit

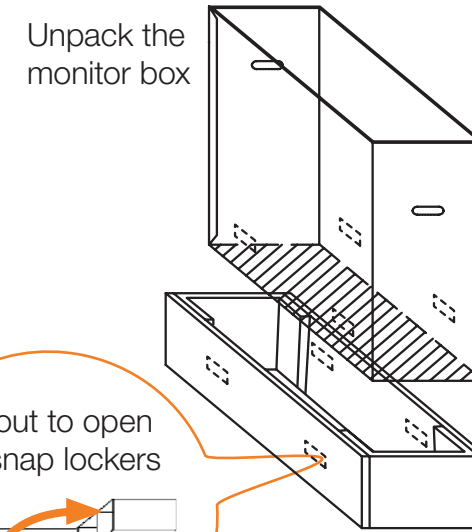
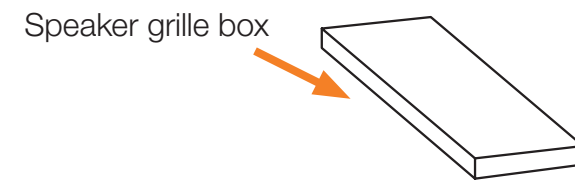
WARNING!

Due to the size and mass of this equipment, it is very important that the wall mount unit is safely installed according to the installation instructions and that the wall is able to safely support the product. It is highly recommended that the wall mounted system is installed by trained personnel

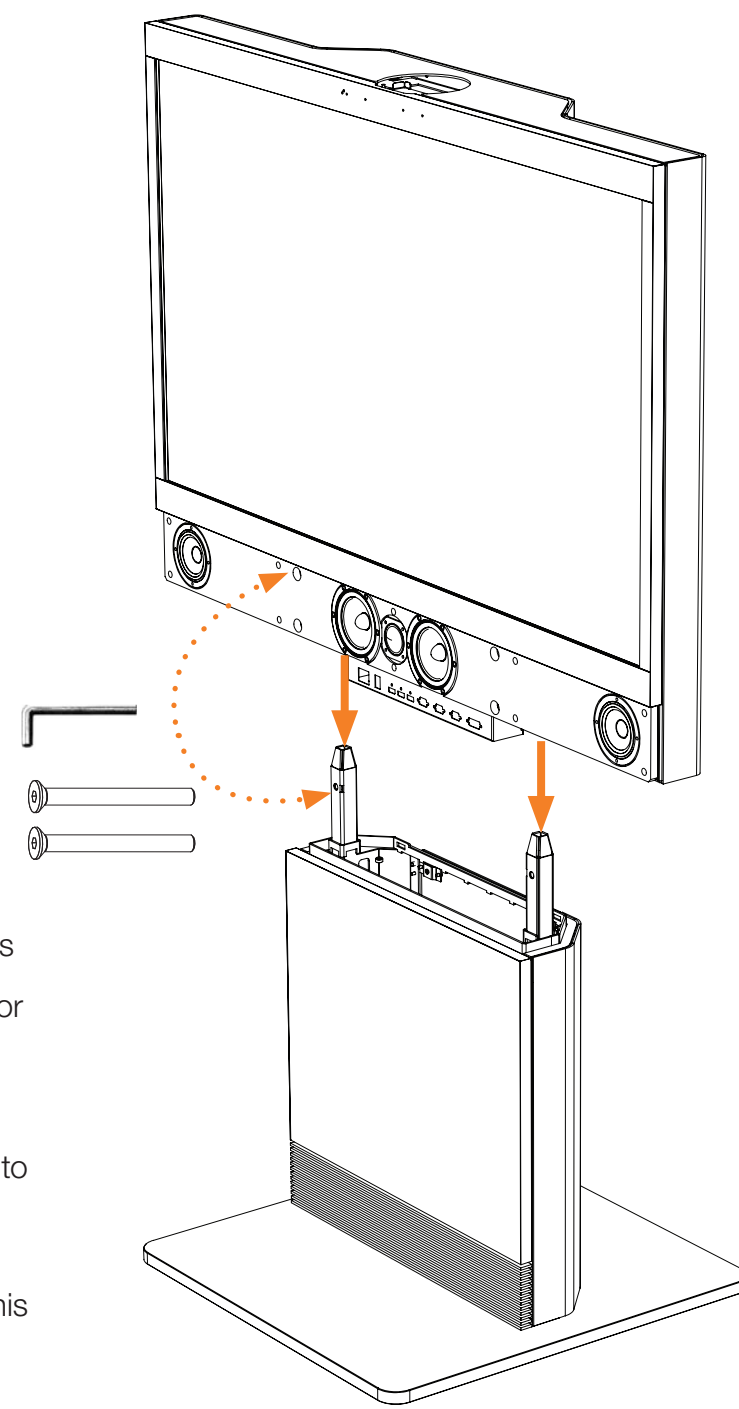
1. Use the Allen key when fasten the wall brackets to the bottom module with the four M8x20 screws
2. Place the bottom module by the wall, mark where to bolt the bracket and move away the bottom module
3. Add the suitable fixing device for the screws in the wall
4. Open the rear door and locate and connect the cables which are lead out of the system at the rear side (the door is not accessible when placed by the wall)
5. Place the bottom module by the wall and bolt it to the wall.



5 Unpack the Monitor box and mount the monitor to the bottom module



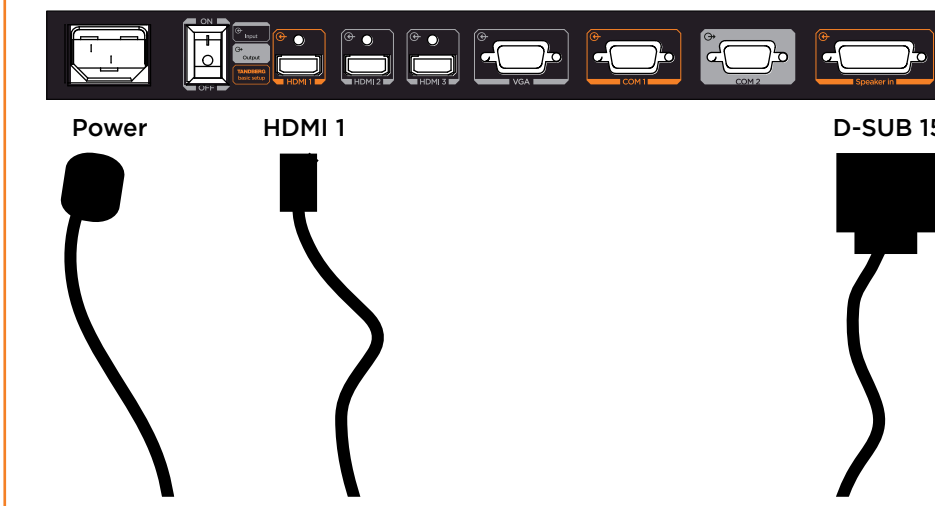
1. Lift out to unlock and remove the snap lockers
2. Lift up the monitor cover to unpack the monitor
3. Locate the speaker grille cover box
4. Carefully lift out the monitor and place it onto the bottom module. It is recommended to be to two people for this operation.
5. Use the Allen key to fasten the two M8x80 bolts through the holes in the speaker box. This will secure the upper module.



6 Connect cables from the codec to the monitor

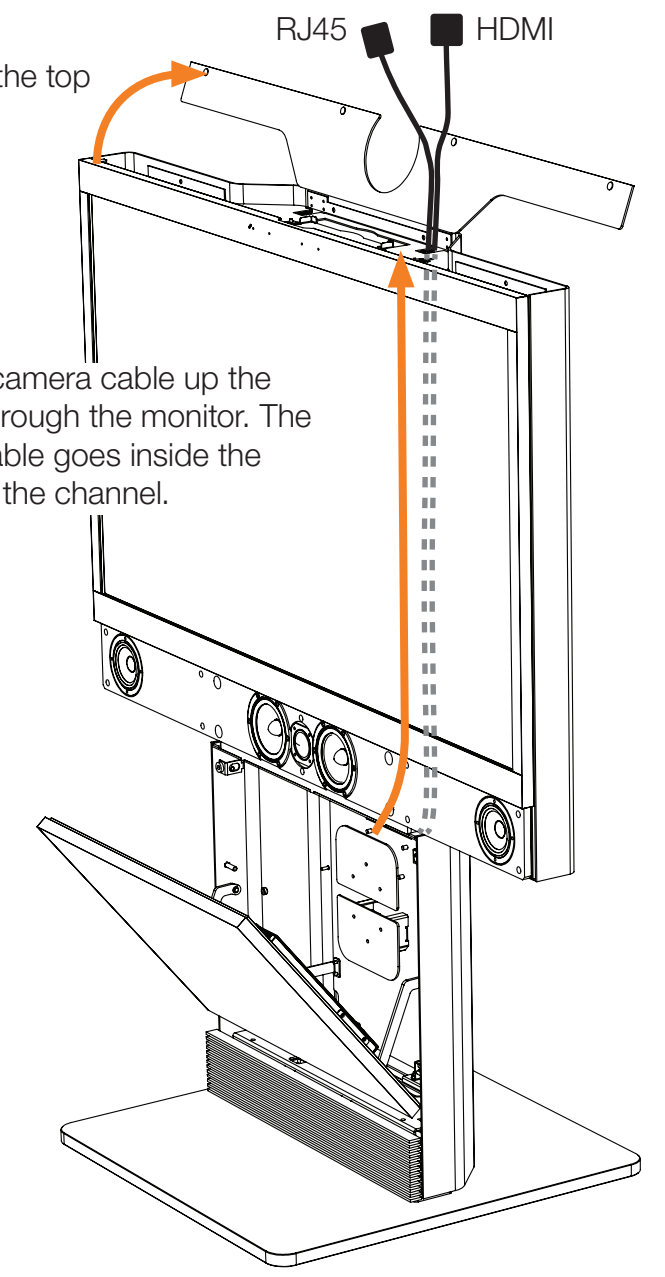
Locate the cables in the bottom module and connect them as described in the illustration:

1. HDMI cable
2. 15 pin D-SUB cable
3. Power cable



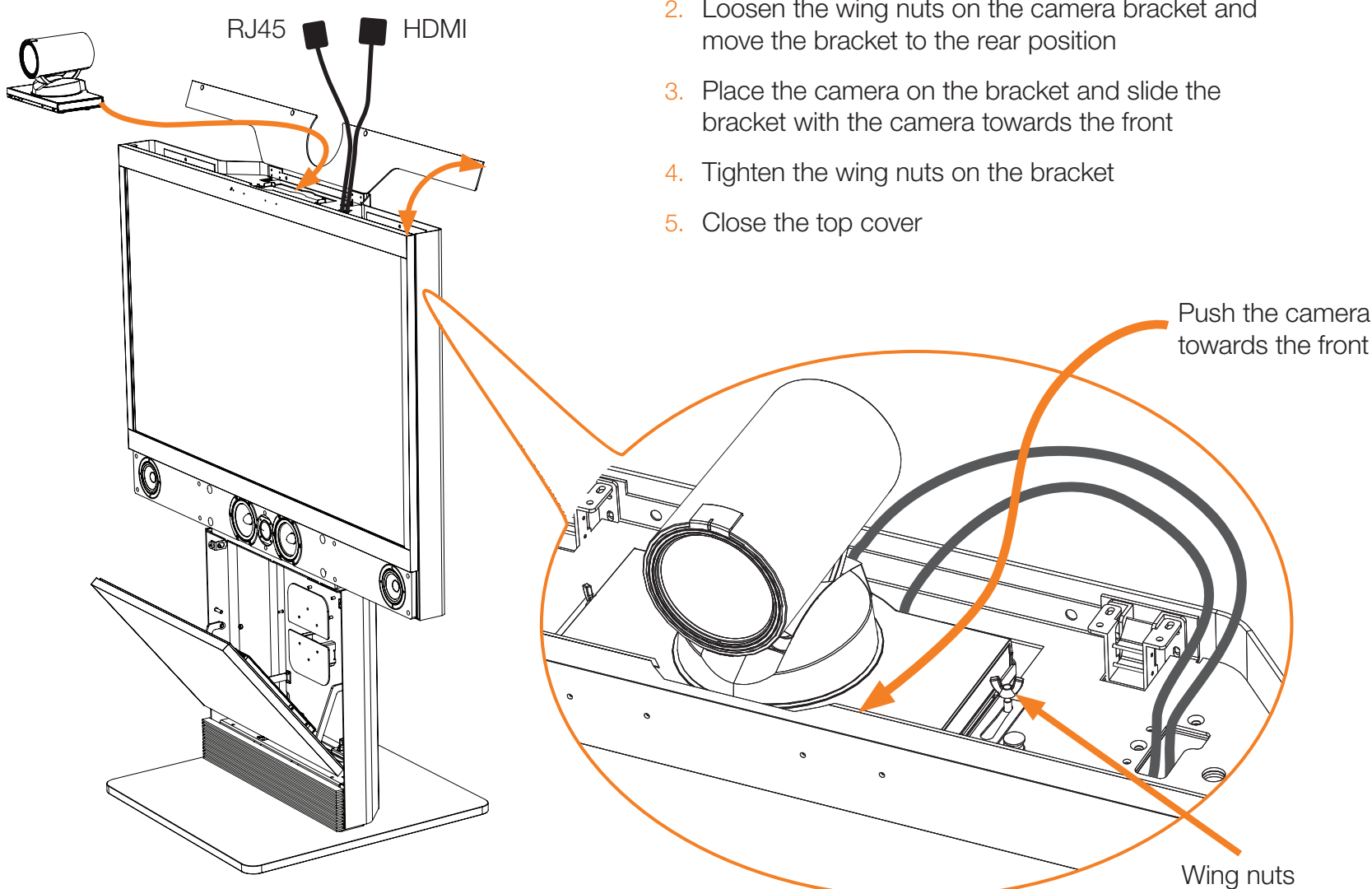
7 Camera cable

1. Open the top cover
2. Push the camera cable up the channel through the monitor. The camera cable goes inside the monitor in the channel.

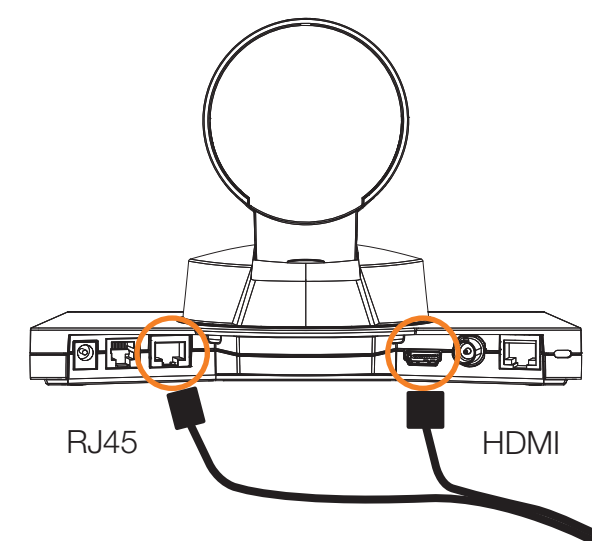


8 Mounting the camera

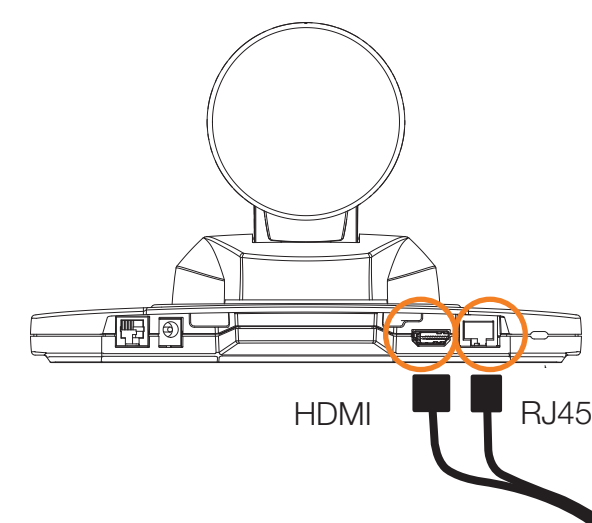
1. Connect the RJ45 and HDMI cables to the camera
2. Loosen the wing nuts on the camera bracket and move the bracket to the rear position
3. Place the camera on the bracket and slide the bracket with the camera towards the front
4. Tighten the wing nuts on the bracket
5. Close the top cover



A1 TANDBERG PrecisionHD 1080p*

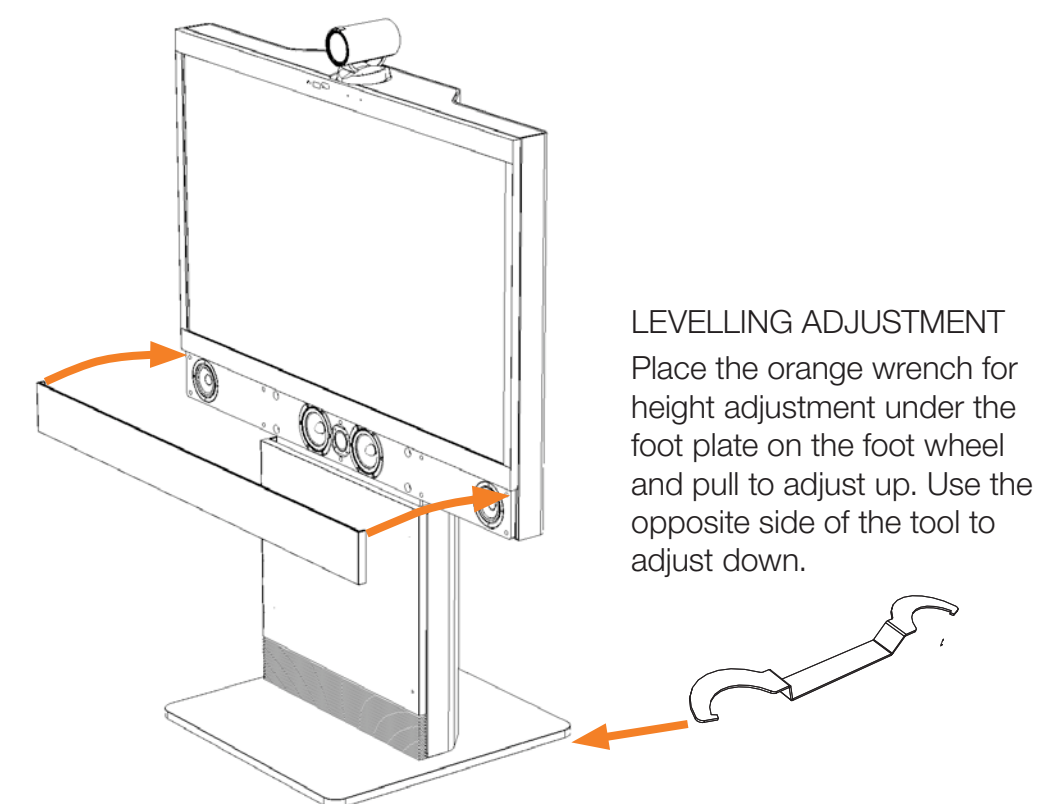


A2 TANDBERG PrecisionHD**



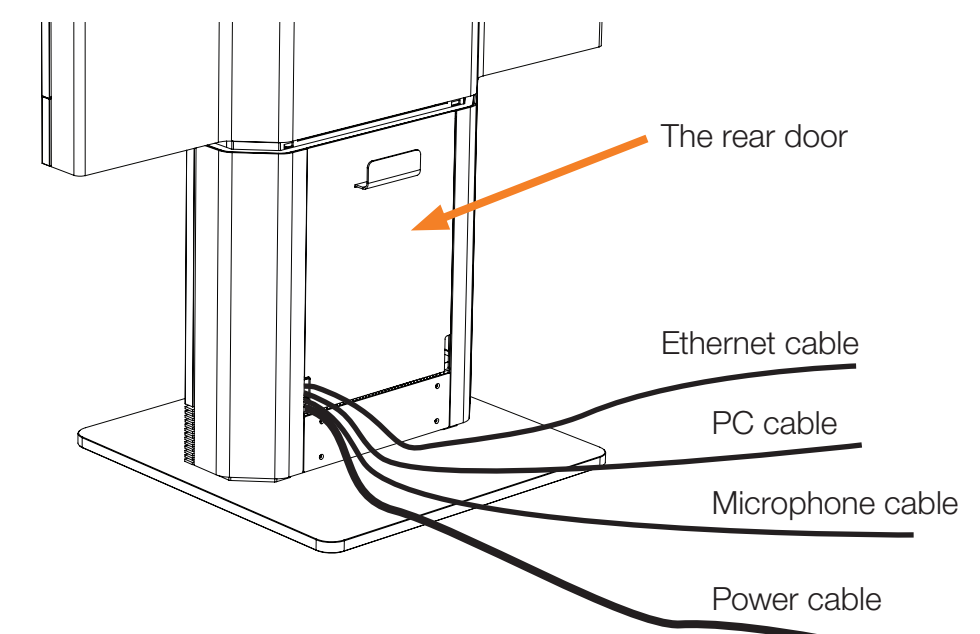
9 Finishing up

1. Use the levelling adjustment tool to adjust the high of the system to make it stable
2. Remove the plastic cover in front of the monitor
3. Remove the plastic foil on the monitor frame
4. Snap on the speaker grille to the front
5. Use the TANDBERG Cloth to clean the system.



10 Connect the system

1. Open the rear door and route the cables out through the opening at the lower part of the door
2. Close the rear door carefully
3. Place the microphones on the table, connect the microphone cables and place the PC cable on the table
4. Connect the Ethernet cable
5. Connect the power cable, use the country specific power cable that came with the system
6. Open the front door and turn on the monitor
7. The system should be up and running in 2 minutes.



* For countries with 60Hz current frequency you must set the TANDBERG PrecisionHD 1080p camera DIP switch to: 00100
 ** The HDMI is not in use for the TANDBERG PrecisionHD camera. Attach the cable to avoid rattling noise.