

The TANDBERG PROFILE 52" Dual delivery contains:

- Monitor box with 2 monitors
- Bottom module
- Foot module (standalone or wall mounting)
- TANDBERG camera
- Monitor back cover and monitor brackets
- Speaker grille box
- Accessories box
  - Cables
  - Microphones, 4 pcs.
  - Remote Control and 4 AAA batteries
  - Gloves, 2 pairs
  - TANDBERG Cloth
  - Allen key, spanner, screwdriver, wrench
  - Bolts and nuts



## PRECAUTIONS

Please follow the steps in this installation guide when unpacking and assembling the TANDBERG PROFILE.

## MANPOWER

A minimum of two (2) people are required when installing the TANDBERG PROFILE 52" Dual.

## UNPACKING THE SYSTEM AT THE DESTINATION

It is highly recommend to start unpacking and assembling of TANDBERG PROFILE at the place where TANDBERG PROFILE is to be used.

**NOTE!** The floor must be in level.

If it is not possible to bring the complete delivery to the room where TANDBERG PROFILE is to be used, then unpack and bring the smaller units to the destination.

- The monitor box requires two (2) people to lift (55 kg / 121 lbs)
- The bottom module requires two (2) people to lift (40 kg / 88 lbs)

## INSTALLATION NEAR A SOCKET OUTLET

The equipment must be installed near a socket-outlet. The socket-outlet shall be easily accessible after installation.

## ROOM GUIDELINES

The recommended distance between the PROFILE 52" Dual and the meeting room table should be minimum 1,5 m / 59 in. See the room guidelines in the administrator guide for further recommendations.

## USER DOCUMENTATION

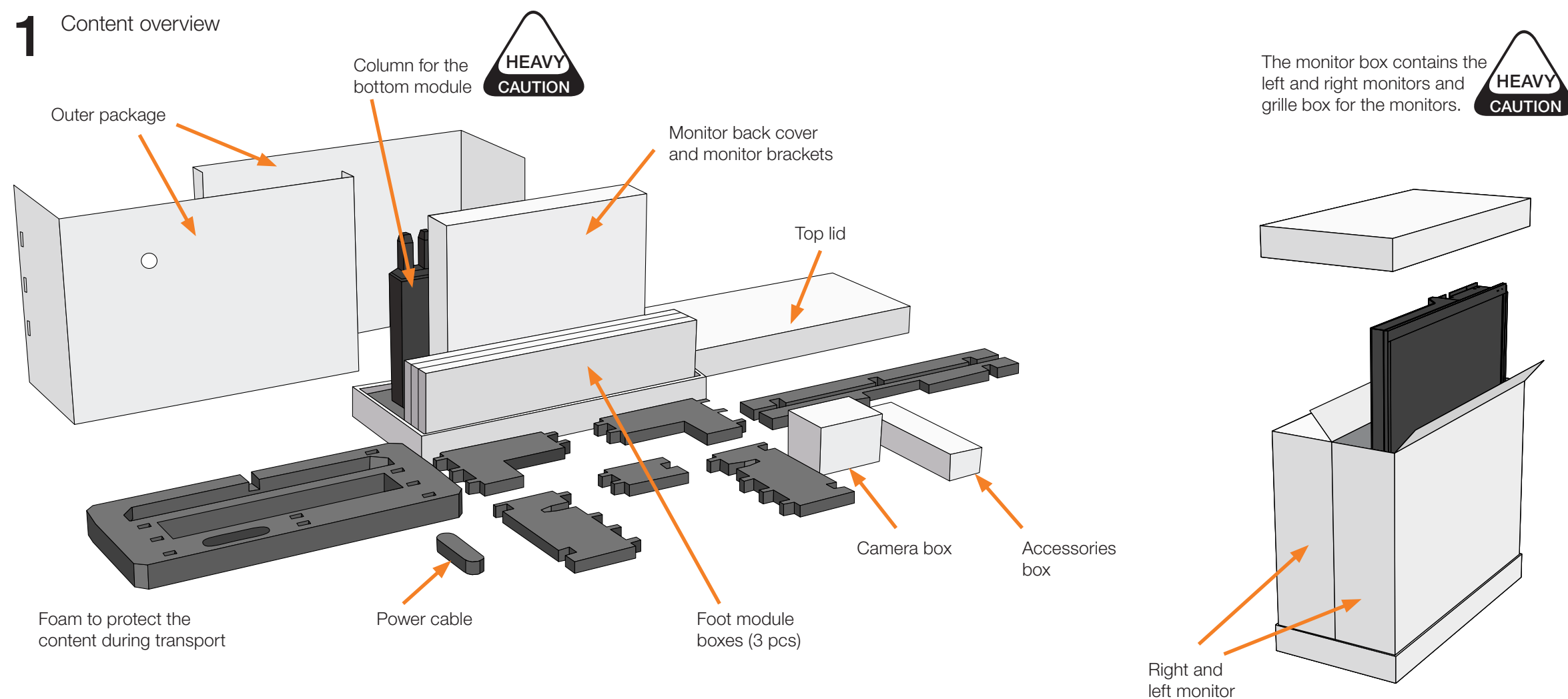
The user documentation for TANDBERG products is available on the TANDBERG web site: <http://www.tandberg.com/docs>

## DIMENSIONS OF THE TANDBERG PROFILE 52" DUAL

- Height: 63.8" / 162 cm
- Width: 94.9" / 241 cm
- Depth: 6.7" / 17 cm
- Weight: 518 lbs / 235 kg

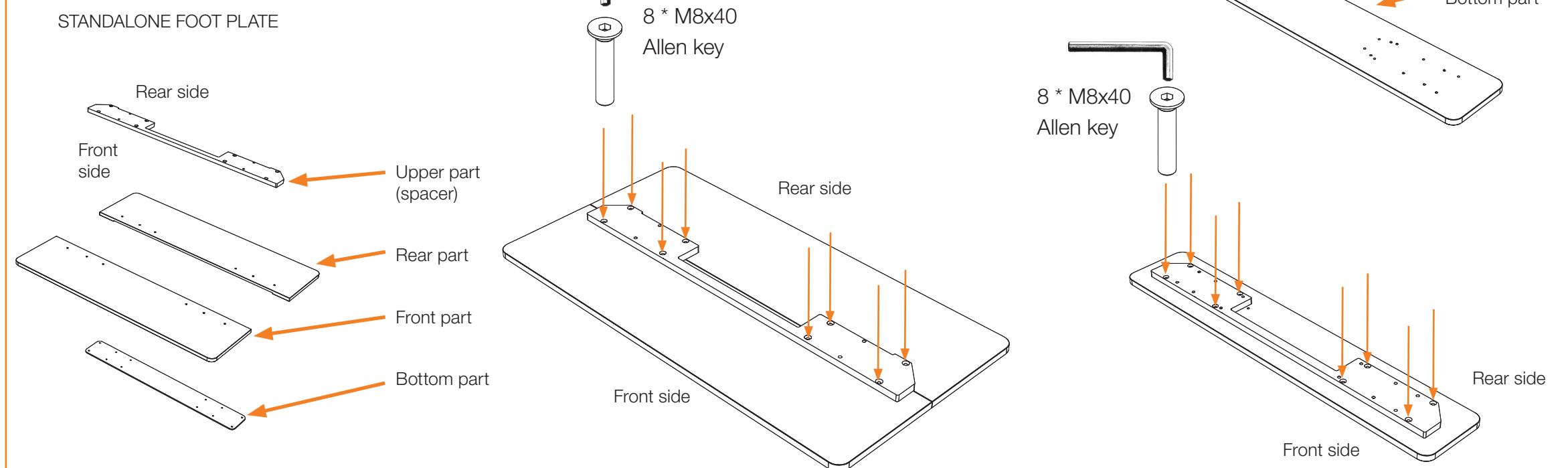
## Unpacking and assemble the TANDBERG PROFILE

### 1 Content overview

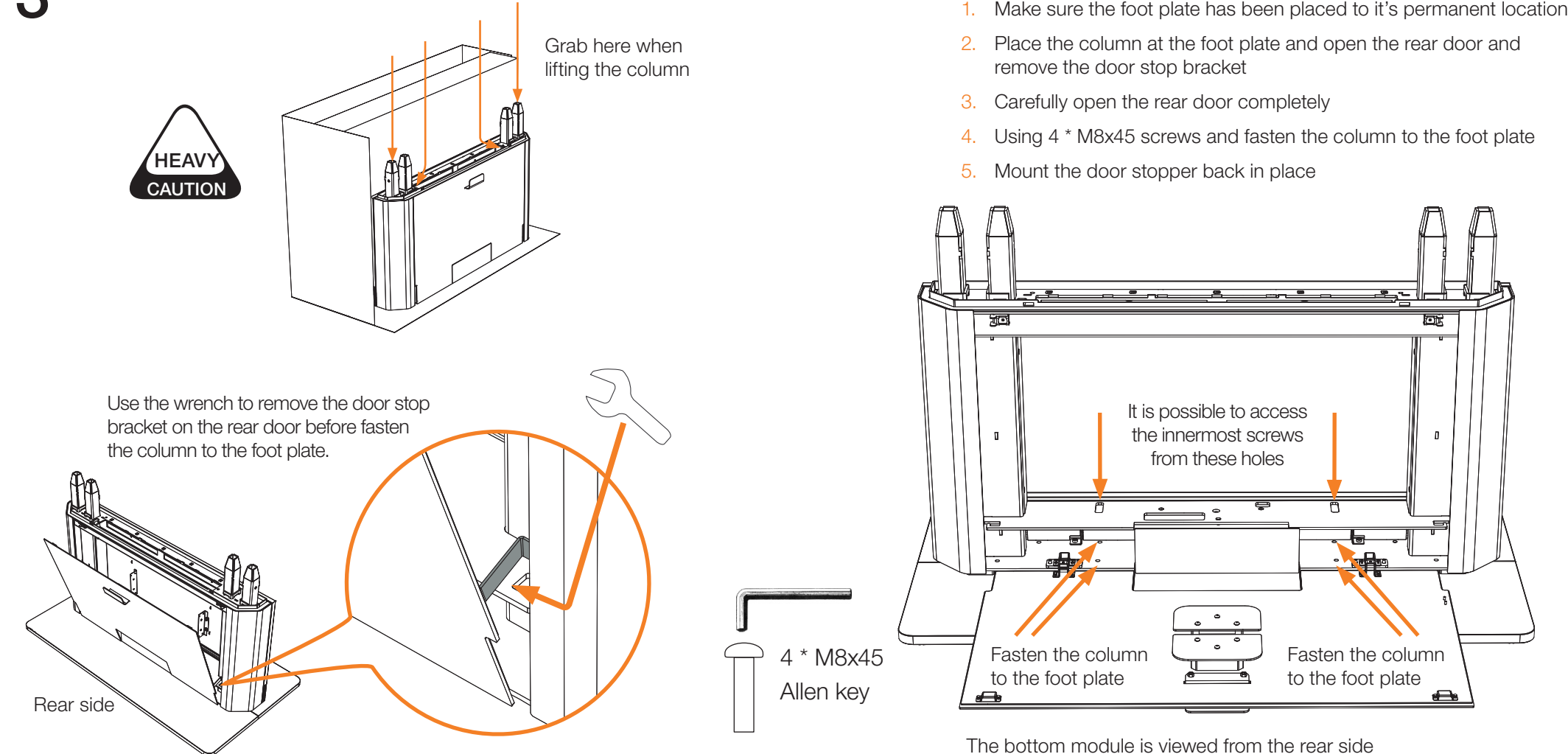


### 2 MOUNTING THE FOOT MODULE:

- Unpack the foot module and place the parts at the destination
- Watch the direction of the spacer item. The diagonally cuts should head towards the rear side.
- Use the Allen key when mounting the four parts together with the eight M8x40 screws



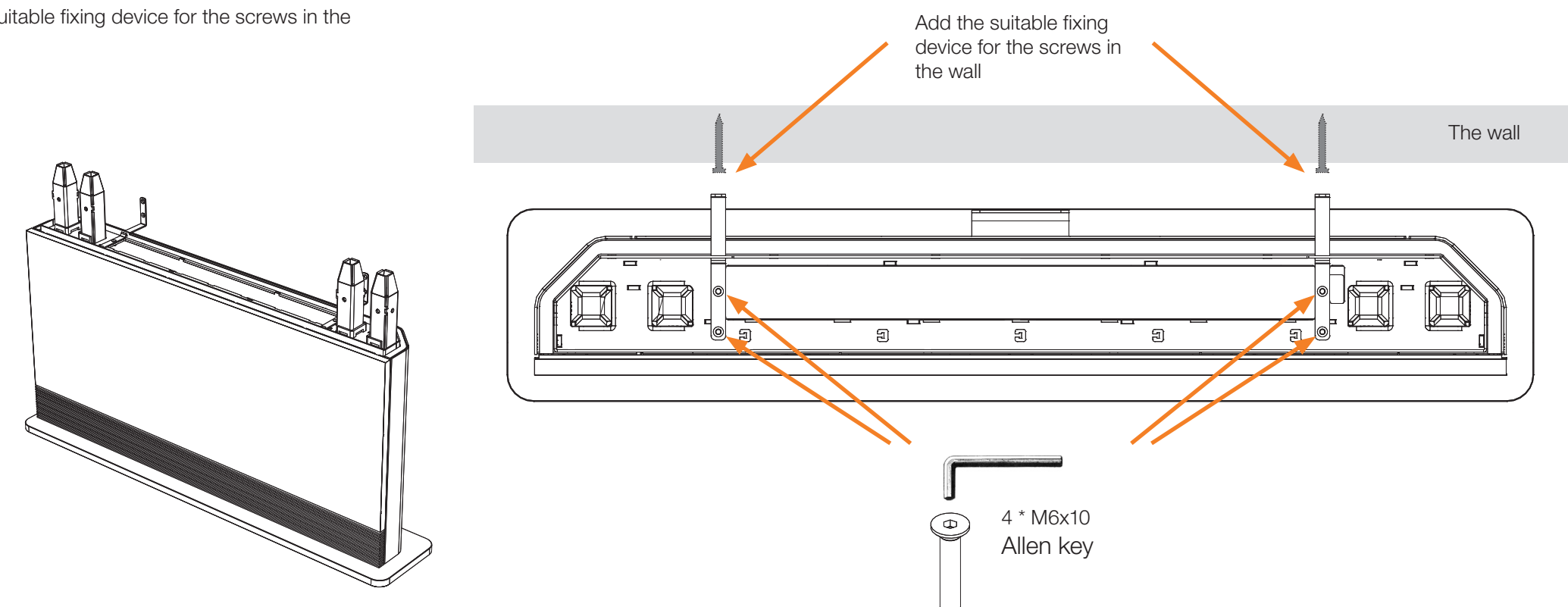
### 3 Lift the column out of the package and mount the column to the foot module.



### 4 IF YOU HAVE A WALL MOUNTING FOOT MODULE: Mount the column to the wall mount foot module bottom module to the wall.

- Use the Allen key when fasten the wall brackets to the bottom module with the four M6x10 screws
- Place the bottom module by the wall, mark where to bolt the bracket and move away the bottom module
- Add the suitable fixing device for the screws in the wall

**WARNING!** Due to the size and mass of this equipment, it is very important that the wall mount unit is safely installed according to the installation instructions and that the wall is able to safely support the product. It is highly recommended that the wall mounted system is installed by trained personnel.



### 5 Unpack the monitor box and lift out the monitors. Place the monitors onto the bottom module.

**LIFTING HANDLES** Locate the orange lifting handles in the front and rear side of the monitor.

**HEAVY CAUTION**

**MOUNTING THE MONITORS**

- Carefully lift the right monitor out of the packaging as illustrated
- See the two triangle holes in the monitor base. Use these holes to help steering the monitor to enter the poles on the column.
- Repeat the above procedure for the left monitor
- Align the monitors at the top and fasten the monitor to the column poles using 4 \* M8x16 screws, two screws at each monitor.
- Tighten the monitors firmly to the bottom module. If you can budge the monitor(s), try tighten the screws once more. This will avoid rattling noise.

See the two triangle holes in the base. Use the holes to help steering the monitor to enter the poles on the column.

4 \* M8x16 Allen key

### 6 Secure the dual monitors with the upper and lower monitor brackets and mount the camera bracket

**MOUNTING THE BRACKETS**

- Fasten the camera bracket using two wing nuts. Screw bag No 1.
- Fasten the two monitors together at the top using the upper monitor bracket and M4x25 screws from screw bag No 2.
- Fasten the two monitors together at the bottom using the lower monitor bracket and M4x8 screws from screw bag No 3.

Camera bracket

Upper monitor bracket

Lower monitor bracket\*

\* The lower monitor bracket is not used on a wall mounted system. Instead, make sure the monitors are aligned at the front.

### 7 Connect the monitor cables to the left and right monitor

**Left monitor connectors**

**Right monitor connectors**

This cable is found in the accessories box

**CONNECTING MONITOR CABLES**  
Open the front door and locate the monitor connectors and cables.

Connect the left monitor:

- HDMI cable
- COM 1 (9 pin DSUB)
- COM 2 (9 pin DSUB) connects to COM 1 at the right monitor
- Speaker in (15 pin DSUB from DNAM)
- Power cable

Connect the right monitor:

- HDMI cable
- COM 1 (9 pin DSUB) connects from COM 2 at the left monitor
- Speaker in (15 pin DSUB from DNAM)
- Power cable

### 8 Mounting the camera cables and the camera

**MOUNTING THE CAMERA CABLES**

- Locate the camera cables in the bottom module (the two long cables)
- Locate the hole in the monitor where the cables can be pushed through. Push the cables through the hole in the right monitor.
- On the rear side, place the cables in the foam rails that's going on the rear side of the monitor

**MOUNTING THE CAMERA**

- Connect the RJ45 and HDMI cables to the camera, see illustration
- Loosen the wing nuts on the camera bracket and move the bracket to the rear position
- Place the camera on the bracket and slide the bracket with the camera towards the front and tighten the wing nuts
- Place the camera cables in the foam rails

**CAMERA CABLE CONFIGURATION**  
TANDBERG PrecisionHD 1080p

RJ45 HDMI

For countries with 60Hz current frequency you must set the TANDBERG PrecisionHD 1080p camera DIP switch to: 00100

### 9 Finishing up

**MOUNTING THE BACK COVER**

- Enter the back cover on top and snap it on place with the magnets

The magnets are strong. Make sure your fingers are not trapped.

- Remove the plastic cover in front of the monitor
- Remove the plastic foil on the monitor frame
- Snap on the speaker grille to the front
- Use the TANDBERG Cloth to clean the system.

### 10 Connect the system

- Open the rear door and route the cables out through the opening at the lower part of the door
- Close the rear door carefully
- Place the microphones on the table, connect the microphone cables and place the PC cable on the table
- Connect the Ethernet cable
- Connect the power cable, use the country specific power cable that came with the system
- Open the front door and turn on the monitor
- The system should be up and running in 2 minutes.

The rear door

Power cable

Ethernet cable

PC cable

Microphone cable