

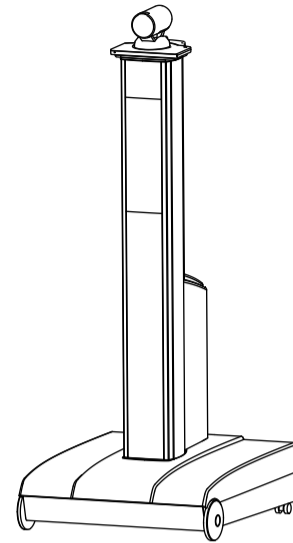
This box contains:

Maestro unit:

- TANDBERG 6000 codec
- Codec Cover
- LCD Screen
- Speakers
- Amplifier
- Ethernet/LAN cable
- 2x Microphone cables
- VGA to DVI-A cable, for PC
- S-video cable, for display
- ISDN cables
- T1/PRI cable
- Power cable

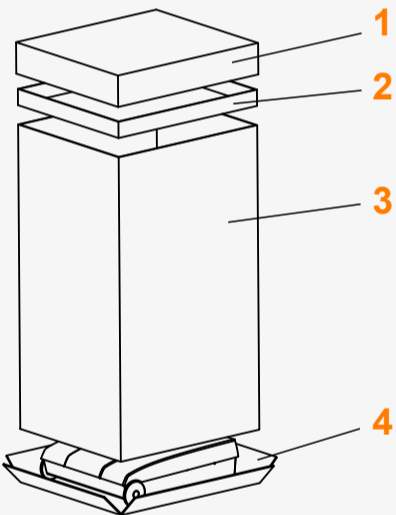
Accessories box:

- TANDBERG Percision HD Camera
- 2x Table microphones
- TANDBERG Remote Control TRC3
- 4x AAA Batteries
- TANDBERG Tracker
- Scart adapter
- Composite cable
- Power cables
- Plug adapter US
- VGA to DVI-A cable, for projector
- S-video cable, for projector
- RS-232 split cable
- Installation Sheet
- User Manual, CDROM
- Registration card

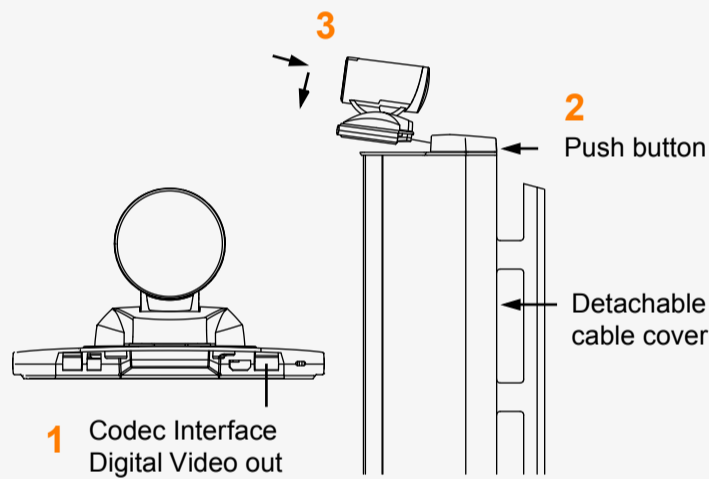


TANDBERG

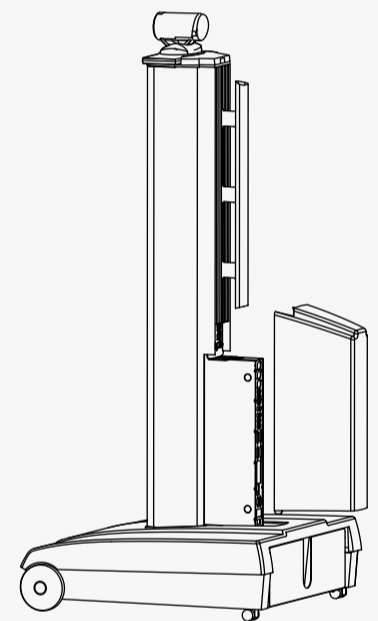
1 Unpacking



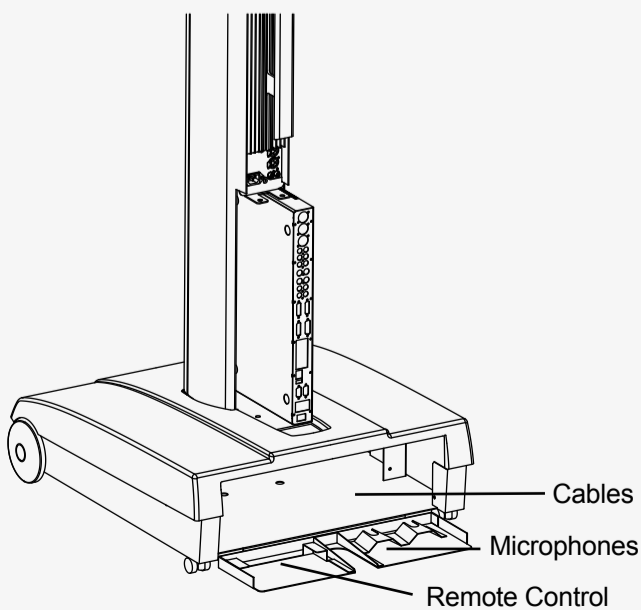
2 Mounting camera



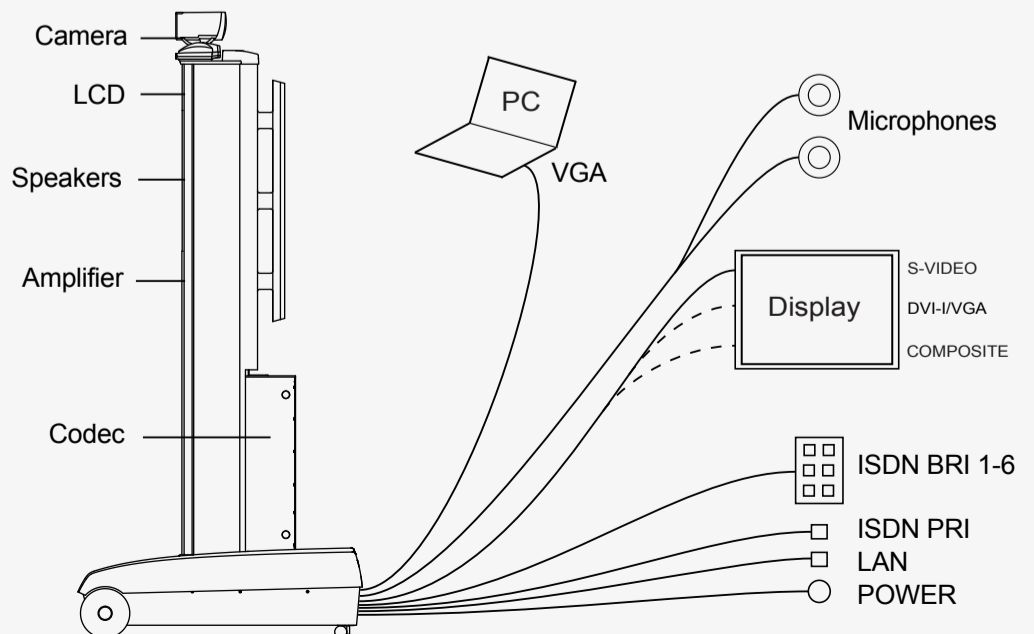
3 Codec cover



4 Access cables



5 Connecting cables



1 Open the Control Panel

Choose 'Control Panel' from the main menu and press OK

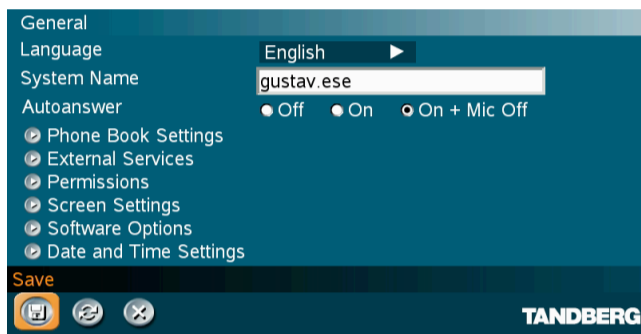


TIP

If the menu is not already present, press the OK/Menu key on the remote control to open the menu. Navigate the menu with arrow keys and OK.

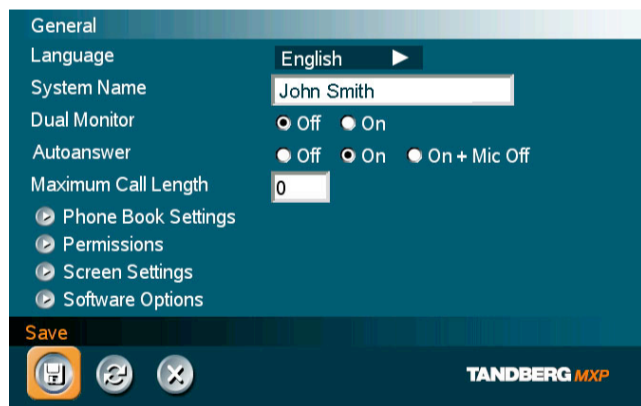
2 Language

Open 'General'. Select language. Press 'Save' to save changes.



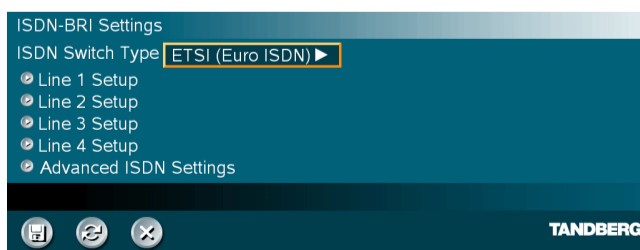
3 Monitor Configuration

Single Monitor: In 'General', set Dual Monitor: Off
 Dual Monitor: In 'General', set Dual Monitor: On
 Press 'Save' to save changes.



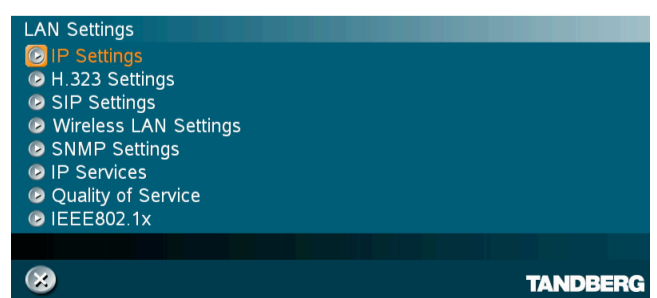
4 ISDN Configuration

Open 'Network - ISDN-BRI Settings'. Make ISDN configuration and press 'Save'.



5 LAN Configuration

Open 'Network - LAN Settings'. Make IP/H.323 configuration and press 'Save'.



Please read the user manual for further details.