

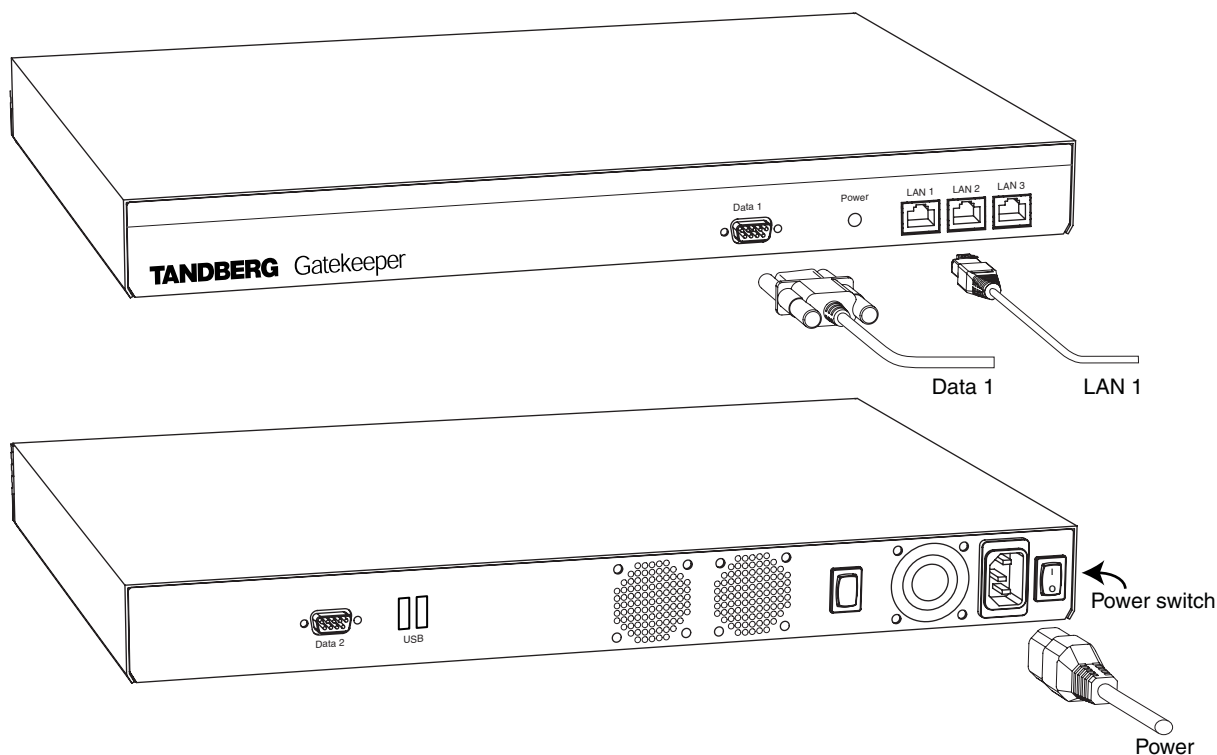
# TANDBERG Gatekeeper Installation

## Unpacking

User manual (on CD)  
Ethernet/LAN Cable  
Power Cables  
Null-modem RS-232 Cable  
Rack-ears and screws  
Kit with 4 rubber feet



## Connecting Cables



## Configuration

1. Connect the null-modem RS-232 cable between the Gatekeeper (Data 1) and a PC.
2. Start a terminal program on the PC and configure it to: 115200, 8, 1, None.
3. Power on the unit by setting the power switch to '1',
4. When prompted for login, enter username 'admin', password 'TANDBERG'.
5. Type 'y' to start the installation wizard and press Enter.
6. When prompted, specify the password, IP settings, local prefix, SSH y/n, and Telnet y/n.
7. When prompted for login, enter username 'admin' and your new password.
8. Press Enter to skip the installation wizard.
9. Reboot the system by typing the command 'xcommand boot'

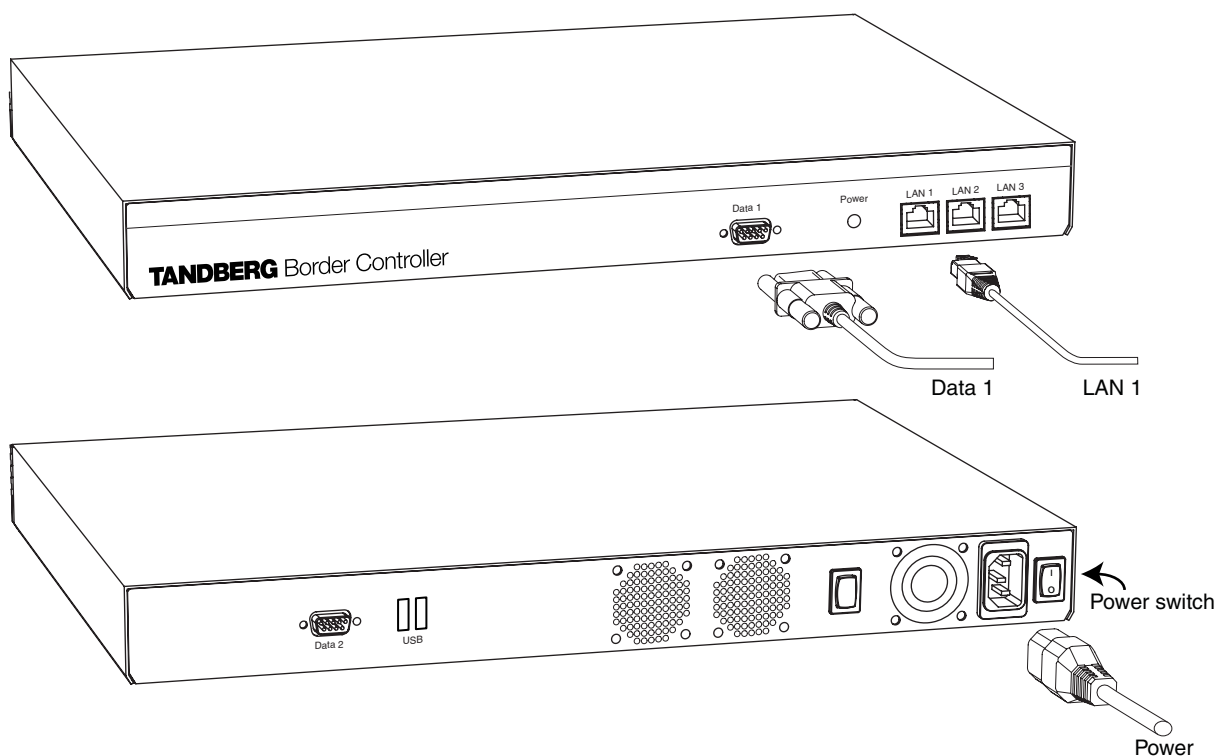
# TANDBERG Border Controller Installation

## Unpacking

User manual (on CD)  
Ethernet/LAN Cable  
Power Cables  
Null-modem RS-232 Cable  
Rack-ears and screws  
Kit with 4 rubber feet



## Connecting Cables



## Configuration

1. Connect the null-modem RS-232 cable between the Gatekeeper (Data 1) and a PC.
2. Start a terminal program on the PC and configure it to: 115200, 8, 1, None.
3. Power on the unit by setting the power switch to '1',
4. When prompted for login, enter username 'admin', password 'TANDBERG'.
5. Type 'y' to start the installation wizard and press Enter.
6. When prompted, specify the password, IP settings, local prefix, SSH y/n, and Telnet y/n.
7. When prompted for login, enter username 'admin' and your new password.
8. Press Enter to skip the installation wizard.
9. Reboot the system by typing the command 'xcommand boot'