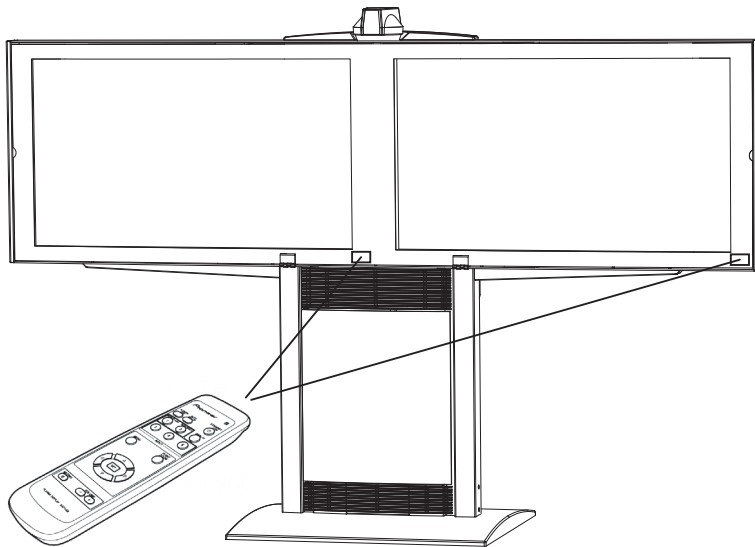
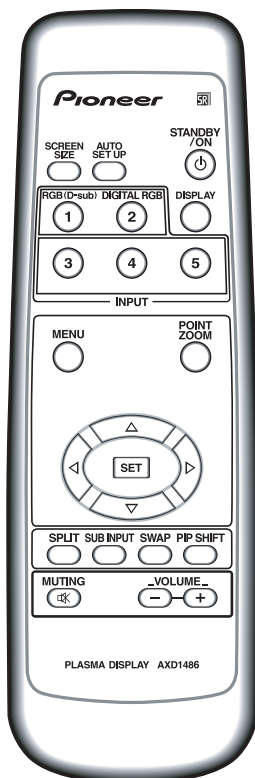


# TANDBERG 8000 Plasma screen setup

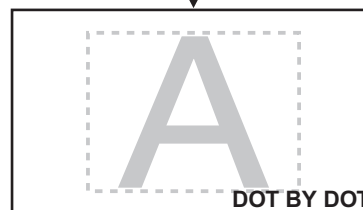
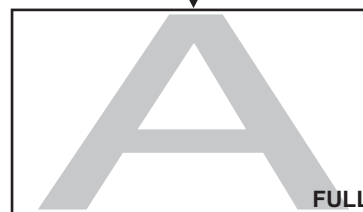
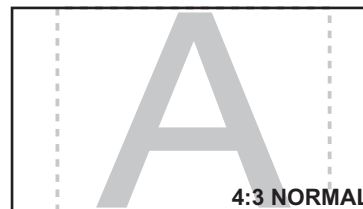
**TANDBERG**



## RGB / VGA input setup



- RGB (D-sub) 1 - to select VGA input
- SCREEN SIZE - toggle screen sizes



Use the Pioneer remote control to select the screen size wanted for the RGB/VGA (D-sub) input (input 1). This setting must be done for each VGA resolution sent from the system to the monitor. Example: If your system transmits both SVGA (800x600) and XGA (1024x768) resolution to your monitor, the screen size configuration must be performed twice.

For Pioneer PDP-50MXE1