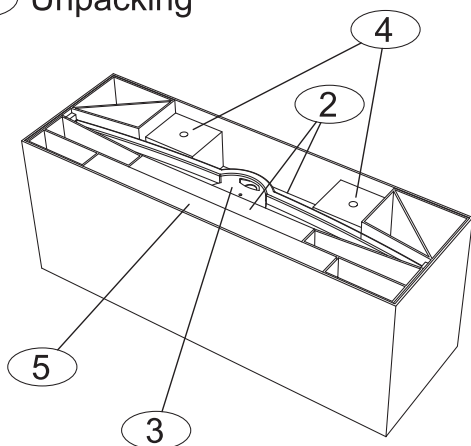


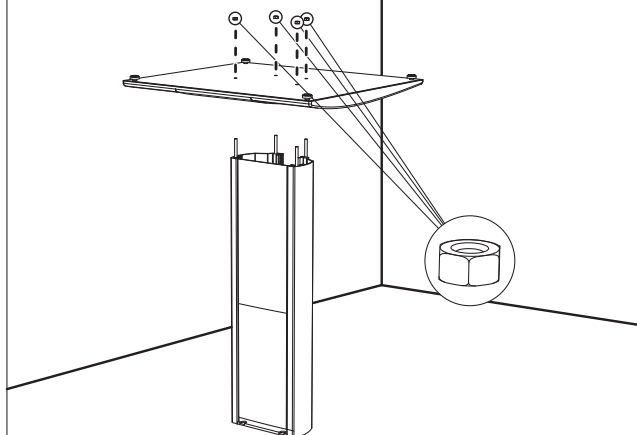
Installation

TANDBERG
7000 *MPX*

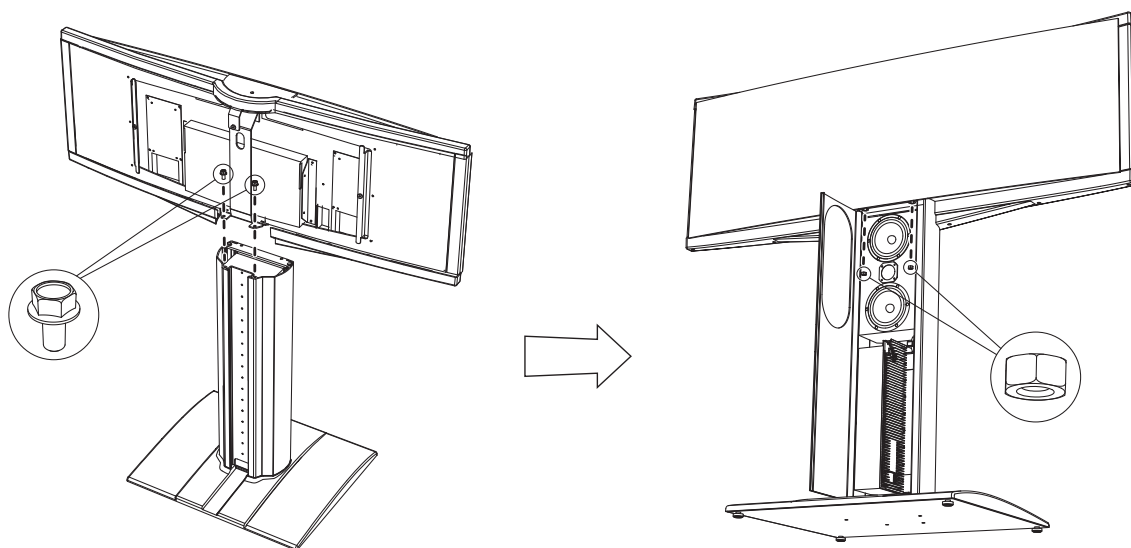
1 Unpacking



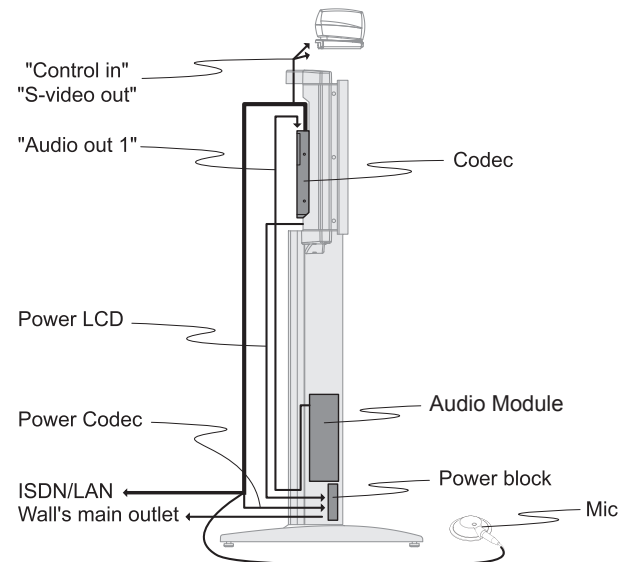
2 Base assembly



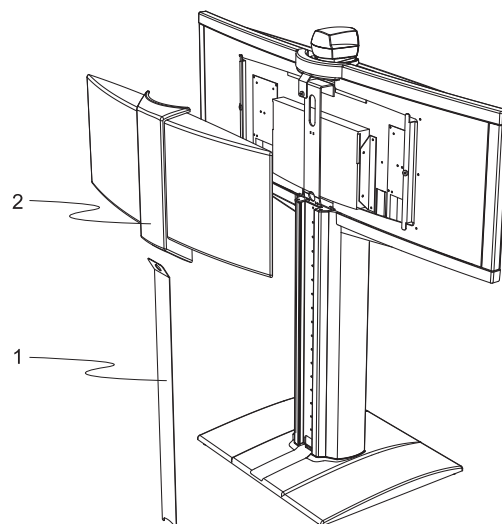
3 Top assembly



4 Connecting cables



5 Mounting covers



6 System Configuration

1. Open the Administrator Settings menu

Choose 'Control Panel' from the main menu. In Control Panel, select 'Administrator Settings' and press OK.

2. Language

Open 'General'. Select language.
Press 'Save' to save changes.



TIP

If the menu is not already present, press the OK/Menu key on the remote control to open the menu. Navigate the menu with arrow keys and OK.

3. Monitor Configuration

In 'General - Screen Settings':

- 1) Set Dual Monitor: On
 - 2) Set VGA Monitor Format: Wide.
- Press 'Save' when done.

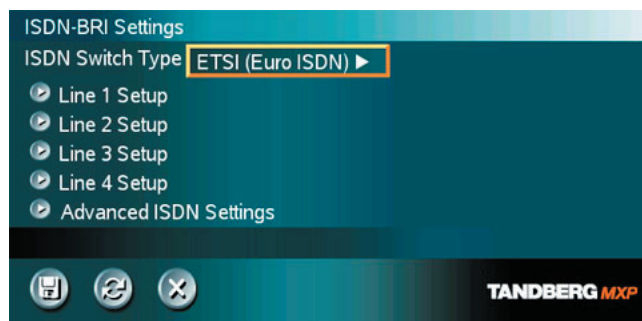
4. Menu Settings

In 'Menu Settings', set Menu on TV: Off
Press 'Save'.

5. ISDN Configuration

Open 'Network - ISDN Settings'. Select 'ISDN-BRI Settings' or 'ISDN-PRI Settings'.

Make ISDN configuration and press 'Save'.



6. LAN Configuration

Open 'Network- LAN Settings'.
Make IP/H.323 configuration and press 'Save'.



Please read the user manual for further details.